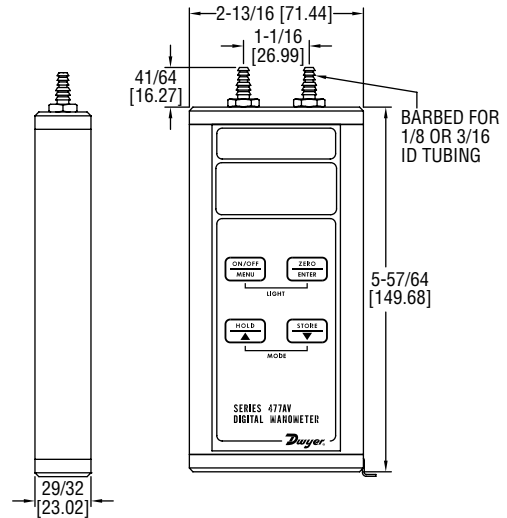


HANDHELD DIGITAL MANOMETER

Measures Pressure, Flow and Velocity; $\pm 0.5\%$ Accuracy



The new, upgraded **SERIES 477AV HANDHELD DIGITAL MANOMETER** is now available with pressure, flow, and velocity measurements along with a number of other convenient features. The 477AV uses a highly accurate differential pressure sensor to offer $\pm 0.5\%$ full scale accuracy. It displays negative, positive, and differential pressure. For pressure, flow, and velocity there are selectable English and metric units, as seen in the specifications. The built-in air velocity and flow calculations provide accuracy and conserve time associated with cumbersome manual calculations. Additionally, up to 40 readings can be saved—perfect for HVAC technicians making Pitot tube traverses of airflow readings across a duct. The accuracy that the 477AV series provides is critical to maintenance personnel and technicians who require a highly accurate standard to check their instrumentation or equipment, to ensure proper performance.

The digital display offers a backlight feature for easier viewing in darker areas. Meanwhile, battery conservation is monitored and displayed in the event of low battery voltage. The digital manometer will automatically shut off after 20 minutes to prevent battery drain. This shut-off time can be reduced or disabled if desired. Series 477AV can be field-calibrated by setting zero and span values. Furthermore, the damping feature compensates for the fluctuating readings by averaging input values to display a more stable readout. Included is an audible and visual alarm to warn over flow, over pressure or over velocity.

The Series 477AV features a menu structure outline printed on the back of the aluminum casing. Comprehensive written instructions, a wrist strap, and a 9 Volt alkaline battery are also included.

FEATURES/BENEFITS

- Pressure, flow, and velocity measurements
- Measures positive, negative, and differential pressure
- Operates up to 100 hours on a single 9 volt battery
- Numerous selectable English and metric units
- Stores up to 40 readings
- Menu structure detailed on the back of aluminum casing
- Aluminum case protects instrument from damage during transport/use

SPECIFICATIONS

Service: Air and compatible gases.	Units of Pressure: in w.c., ft. w.c., in Hg, psi, oz/in ² , mm w.c., cm w.c., mm Hg, mbar, Pa, kPa, hPa.
Wetted Materials: Consult factory.	Units of Velocity: fpm, fps, mph, m/h, m/s, k/h, knot.
Accuracy: $\pm 0.5\%$ FS, 60 to 78°F (15.6 to 25.6°C); $\pm 1.5\%$ FS from 32 to 60°F and 78 to 104°F (0 to 15.6°C and 25.6 to 40.0°C).	Units of Flow: cfm, m ³ /h, m ³ /s.
Pressure Hysteresis: $\pm 0.1\%$ of full-scale.	Power Requirements: 9 V Alkaline battery, installed non-functional, user replaceable.
Pressure Limits: See chart.	Weight: 10.2 oz (289 g).
Temperature Limits: 0 to 140°F (-17.8 to 60°C).	Process Connections: Two barbed connections for use with 1/8" (3.18 mm) or 3/16" (4.76 mm) ID tubing. Two compression fittings for use with 1/8" (3.18 mm) ID x 1/4" (6.35 mm) OD tubing for 477AV-7 and 477AV-8 only.
Compensated Temperature Limits: 32 to 104°F (0 to 40°C).	Agency Approvals: CE.
Storage Temperature Limits: -4 to 176°F (-20 to 80°C).	
Display: 0.42" (10.6 mm) 4 digit LCD.	
Resolution: See chart.	

ACCESSORIES

Model	Description
A-402A	Carrying case; tough gray nylon pouch protects any Series 477AV Manometer; double zippered for quick and easy access, with a belt loop that snaps closed; 7-1/2"H x 3"W x 2-1/4"D (191 x 76 x 57 mm)
UHH-C1	Soft carrying case



A-402A



UHH-C1

OPTION

To order add suffix:	Description
-NIST	NIST traceable calibration certificate
Example: 477AV-1-NIST	

MODEL CHART

Model	Pressure Range	Velocity Range		Available Pressure Units										Maximum Pressure		
		fpm	m/s	psi	in Hg	kPa	in w.c.	mm Hg	mbar	mm w.c.	Pa	ft w.c.	oz/in ²		hPa	cm w.c.
477AV-000	0-1.000 in w.c.	0-4004	20.34	-	0.0736	0.2491	1.000	1.868	2.491	25.40	249.1	0.0833	0.5780	2.491	2.540	5 psig
477AV-00	0-4.000 in w.c.	0-8009	40.69	0.1445	0.2942	0.996	4.000	7.473	9.96	101.6	996	0.3333	2.312	9.964	10.16	5 psig
477AV-0	0-10.00 in w.c.	0-1.266k	64.33	0.3613	0.7355	2.491	10.00	18.68	24.91	254.0	2491	0.8333	5.780	24.91	25.40	5 psig
477AV-1	0-20.00 in w.c.	0-1.791k	90.97	0.7225	1.471	4.982	20.00	37.36	49.82	508.0	4982	1.667	11.56	49.82	50.80	10 psig
477AV-2	0-40.00 in w.c.	0-1.791k	128.7	1.445	2.942	9.96	40.00	74.73	99.6	1016	9964	3.333	23.12	99.64	101.6	10 psig
477AV-3	0-200.0 in w.c.	0-56.63k	287.7	7.225	14.71	49.82	200.0	373.6	498.2	5080	-	16.67	115.6	498.2	508.0	30 psig
477AV-4	0-10.00 psi	0-66.62k	338.4	10.00	20.36	68.95	276.8	517.1	689.5	7031	-	13.07	160.0	689.5	703.1	30 psig
477AV-5	0-20.00 psi	0-94.22k	478.6	20.00	40.72	137.9	553.6	1034	1379	-	-	46.13	320.0	1379	1406	60 psig
477AV-6	0-30.00 psi	0-115.4k	586.2	30.00	61.08	206.9	830.4	1551	2069	-	-	69.20	480.0	2068	2109	60 psig
477AV-7	0-100.0 psi	0-210.7k	1070	100.0	203.6	689.5	2768	5171	6895	-	-	230.7	1600	6895	7031	150 psig
477AV-8	0-150.0 psi	0-258.0k	1311	150.0	305.4	1034	4152	7757	-	-	-	346.0	2400	-	-	200 psig